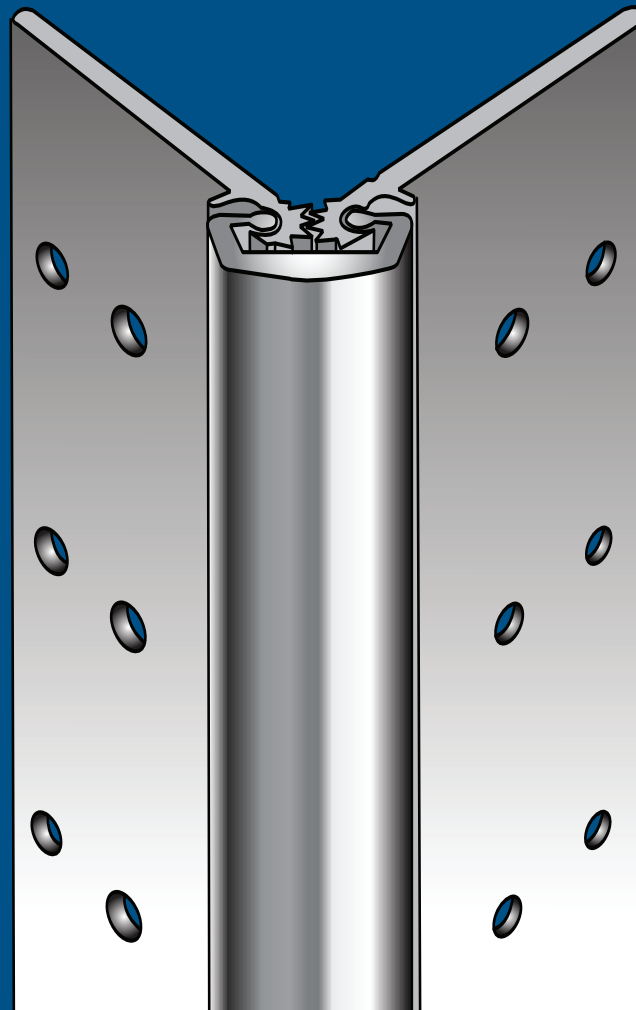
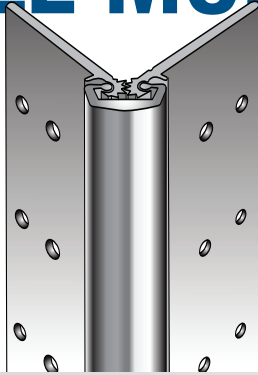


# ALUMINUM GEARED CONTINUOUS HINGES



[www.globaldoor.com](http://www.globaldoor.com) 704.596.2444 FAX: 800.376.6536  
5808 Long Creek Park Drive, Suite A, Charlotte, NC 28269

## FULL MORTISE



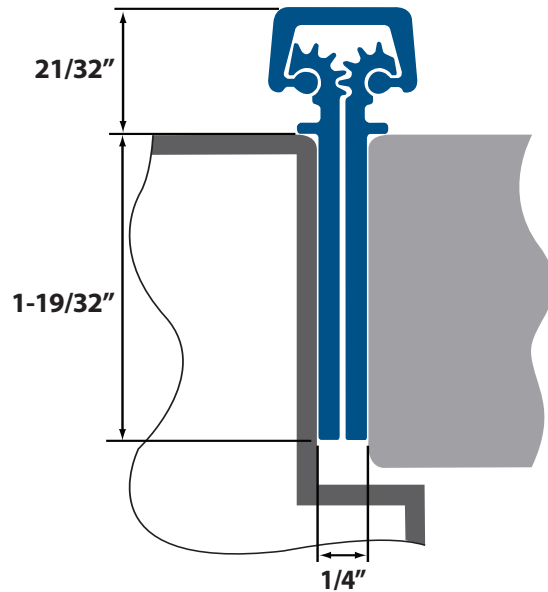
### Specifications

- Available in full mortise and surface mount
- 6063 T6 Aluminum alloy, with interlocking extrusions
- Non-handed design
- 83" or 95" length
- Standard duty with 16 thrust type self-lubricating concealed bearings per hinge
- Heavy duty with 32 thrust type self-lubricating concealed bearings per hinge
- High degree of security
- Anodized aluminum after machining
- Through bolt and machine screws fixing
- Templated hole patterns
- 10 year warranty

### THI-1183CFM

CFM

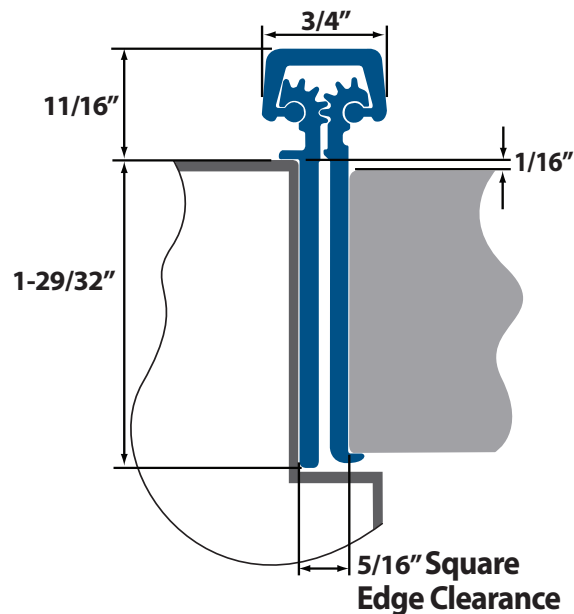
- Mortise type
- Flush mount
- Each hinge leaf has an alignment stop
- 1/4" clearance between door and frame



### THI-1183FM2

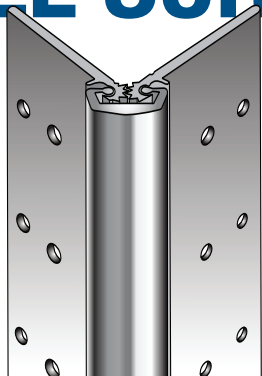
FM2

- Mortise type
- 1/16" door offset
- Door edge guard
- 5/16" clearance between door and frame



# ALUMINUM GEARED CONTINUOUS HINGES

## FULL SURFACE

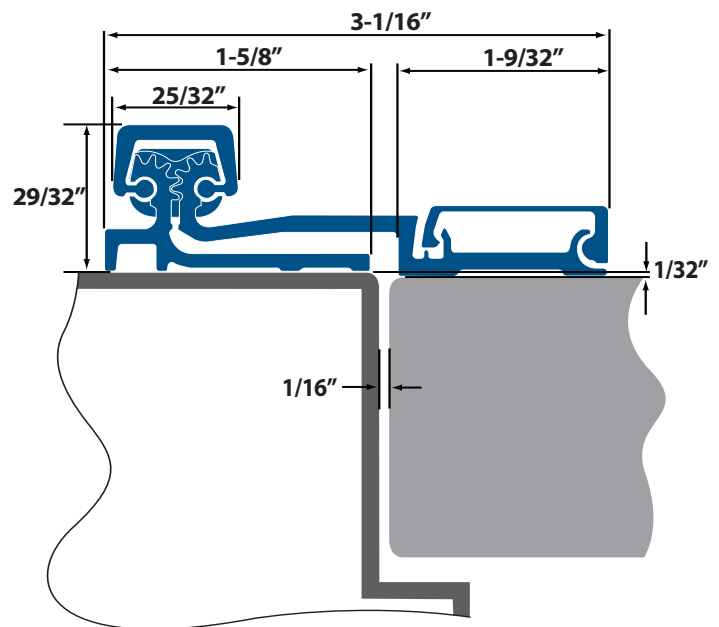


### Specifications

- Available in full mortise and surface mount
- 6063 T6 Aluminum alloy, with interlocking extrusions
- Non-handed design
- 83" or 95" length
- Standard duty with 16 thrust type self-lubricating concealed bearings per hinge
- Heavy duty with 32 thrust type self-lubricating concealed bearings per hinge
- High degree of security
- Anodized aluminum after machining
- Through bolt and machine screws fixing
- Templated hole patterns
- 10 year warranty

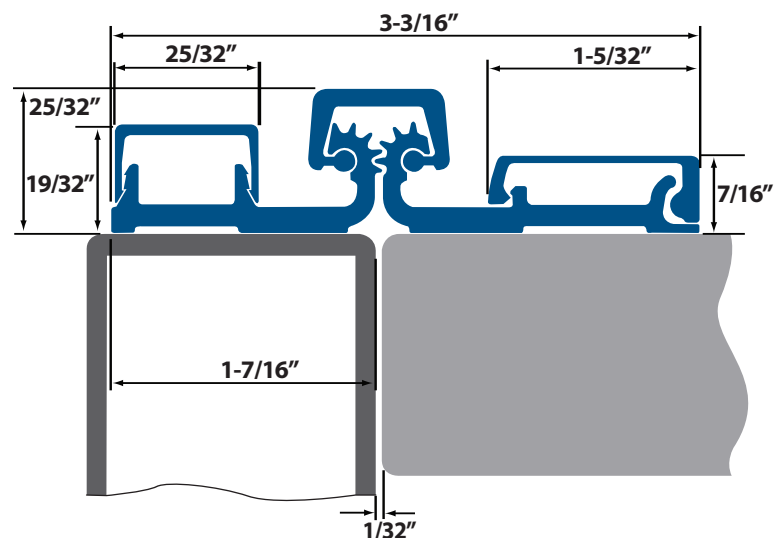
## THI-1183 FULL SURFACE

- Full surface continuous hinge
- 1/32" door panel offset
- Tamper resistant removable door leaf cover
- 1/16" clearance between door and frame



## THI-1183LF LIMITED FRAME

- Full surface continuous hinge
- For narrow (limited) frame applications
- Tamper resistant removable door leaf cover
- 1/32" clearance between door and frame



# REFERENCE CHART

|                      | <b>Global Door Controls</b>                                  | <b>Roton</b>                                     | <b>Select</b>                        | <b>Pemko</b>                      |
|----------------------|--|--|--------------------------------------|-----------------------------------|
| Standard Duty<br>83" | THI-1183CFM<br>THI-1183<br>THI-1183FM2<br>THI-1183LF         | 780-112<br>780-210<br>780-224<br>780-157         | SL11<br>SL21<br>SL24<br>SL57         | FMSLF<br>FS<br>FM<br>FSCP         |
| Heavy Duty<br>83"    | THI-1183CFMHD<br>THI-1183HD<br>THI-1183FM2HD<br>THI-1183LFHD | 780-112HD<br>780-210HD<br>780-224HD<br>780-157HD | SL11HD<br>SL21HD<br>SL24HD<br>SL57HD | FMSLFHD<br>FSHD<br>FMHD<br>FSCPHD |
| Standard Duty<br>95" | THI-1195CFM<br>THI-1195<br>THI-1195FM2<br>THI-1195LF         | 780-112<br>780-210<br>780-224<br>780-157         | SL11<br>SL21<br>SL24<br>SL57         | FMSLF<br>FS<br>FM<br>FSCP         |
| Heavy Duty<br>95"    | THI-1195CFMHD<br>THI-1195HD<br>THI-1195FM2HD<br>THI-1195LFHD | 780-112HD<br>780-210HD<br>780-224HD<br>780-157HD | SL11HD<br>SL21HD<br>SL24HD<br>SL57HD | FMSLFHD<br>FSHD<br>FMHD<br>FSCPHD |



## GLOBAL DOOR CONTROLS

Charlotte, NC, U.S.A.

Tel: 704.596.2444

Fax: 704.596.5659

[www.globaldoor.com](http://www.globaldoor.com)