

DOOR CLOSERS



www.globaldoor.com 704.596.2444 FAX: 800.376.6536
5808 Long Creek Park Drive, Suite A, Charlotte, NC 28269

Table of Contents

PAGE

• TC2200, TC200 Commercial Utility/Store Front Closers	2
• TC400/500, TC600 Architectural Closers	3
• TC4361, TC4300 Institutional Closers	4
• TC300 Light Commercial, TC7700 Overhead Concealed	5
• TC7000 Overhead Concealed	6
• Residential Door Closers	7
• Manufactures Cross Reference	8
• Model Size Selection	9
• Applications	10

SURFACE MOUNTED DOOR CLOSERS

TC2200



Model #	Body Length	CTC Hole Pattern
TC 2202	8 1/8"	7 3/8" x 3/4"
TC 2203	8 7/8"	8 3/16" x 3/4"
All others	9 7/8"	9 1/16" x 3/4"

See Cross Reference Chart (page 8)

Specifications:

- Grade 3 certified, ANSI/BHMA A156.4
- UL listed compliant UL10C for positive pressure
- Aluminum alloy body
- Non-handed- reversible
- Spring size closers # 2, 3, 4, 5
- Multi-size closers 1-4
- TC2201ADA conforms to handicap code requirements, and meets ANSI/BHMA A156.4 Grade 1 requirements
- Two independent valves control sweep and latch closing speeds - backcheck optional
- Packed standard for regular & top jamb mounting
- Supplied with both wood and machine screws
- 10 year warranty
- Finish: AL- Aluminum, DU- Durotic

TC200



Body Length	CTC Hole Pattern
9 7/8"	9 1/16" x 3/4"

See Cross Reference Chart (page 8)

Specifications:

- Grade 1 certified, ANSI/BHMA A156.4
- UL listed compliant UL10C for positive pressure
- Aluminum alloy body
- Non-handed- reversible
- Spring size closers # 3, 4, 5
- Multi-size closers 1-4 & 3-6
- TC201ADA- conforms to handicap code requirements
- Two independent valves control sweep and latch closing speeds - backcheck optional
- Packed standard for regular & top jamb mounting
- Supplied with both wood and machine screws
- 25 year warranty
- Finish: AL- Aluminum, DU- Durotic

The TC2200 is our most economically priced streamline closer. It is recommended for use on all aluminum store front doors, wood or hollow metal commercial applications. The TC2200 is a versatile utility closer that provides narrow styling and has a full selection of accessories to accommodate the requirements of any field installation.

Our TC2201ADA model is a GRADE 1. It offers adjustable spring power sizes 1- 4 for use on interior doors requiring less than 5 lbs. of opening force and exterior doors requiring less than 8.5 lbs. This complies with ADA handicap codes and ANSI/BHMA Grade 1 standard requirements. Both models will retrofit most full size closers with a 9 1/16" industry standard hole pattern to update any opening for code compliance.

Also available in spring sizes 2, 3, 4, & 5

Options: Specify When Ordering

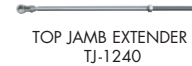
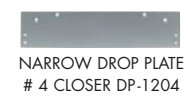
- *Backcheck - BC
- *Parallel mount - PA
- *Hold open - HO
- *Finish - AL, DU



Meets ADA Requirements

*Note - For hold open parallel arm mount - must order HOPAB-1245

ACCESSORIES



The TC200 is recommended for use on all aluminum store front doors, wood or hollow metal commercial applications. It is a versatile utility closer that provides narrow styling and has a full selection of accessories to accommodate the requirements of any field installation.

In this series, our TC201 is a multi-size spring model that offers adjustable power with a choice of ranges sizes 3-6 where high rates of closing force are required. Our TC201ADA model also offers adjustable spring power sizes 1-4 for use on interior doors requiring less than 5 lbs. of opening force and exterior doors requiring less than 8.5 lbs. This complies with ADA handicap codes and ANSI/BHMA standard requirements. Both models will retrofit most full size closers with a 9 1/16" industry standard hole pattern to update any opening for code compliance.

Also available in sizes 3, 4, & 5

Options: Specify When Ordering

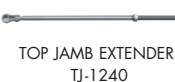
- *Backcheck - BC
- *Parallel mount - PA
- *Hold open - HO
- *Finish - AL, DU



Meets ADA Requirements

*Note - For hold open parallel arm mount - must order HOPAB-1245

ACCESSORIES



SURFACE MOUNTED DOOR CLOSERS

TC400/500

400/500



Hole Pattern - 12" x 3/4"

See Cross Reference Chart (page 8)

Specifications

- Grade 1 certified, ANSI/BHMA A156.4
- UL listed complies with UL10C for positive pressure
- Aluminum alloy shell
- Non-handed
- Narrow cover - 400 slimline series
- Full cover - 500 standard series
- Multi-size spring models- 411/511 adjustable power 1-4 ADA barrier free, 412/512 adjustable power 2-6
- Three independent regulating valves - control sweep and latch closing speeds, also backcheck cushion
- Tri packed- regular, top jamb, parallel arm mount
- Supplied with both wood and machine screws
- 25 year warranty
- Finish: AL- Aluminum, DU- Duronotic,

The TC400 / 500 are recommended for use on commercial, architectural and institutional applications. These models are ideal for business, new construction and renovations. Both models have a full selection of accessories to accommodate the requirements of any door control installation. Fully compliant with opening force requirements for ADA and ANSI/BHMA standards.

Options: Specify When Ordering

- *Hold open - HO
- *Delayed action - TC411DA
- *Finish - AL, DU



Meets ADA Requirements

*Note - For hold open parallel arm mount - must order HOPAB-1245

ACCESSORIES



DROP PLATE
DP-1045



HOLD OPEN ARM
HOA-1245



REGULAR ARM
RA-1240



TOP JAMB EXTENDER
TJ-1240



PARALLEL ARM BRACKETS
PAB-1245 Standard
HOPAB-1245 Hold open



1 3/4" THRU-BOLTS
SXN-134

TC600

600



Hole Pattern - 11 3/32" x 3/4"

See Cross Reference Chart (page 8)

Specifications

- Grade 1 certified, ANSI/BHMA A156.4
- UL listed complies with UL10C for positive pressure
- Aluminum alloy shell
- Non-handed
- Full cover - 600 series
- Multi-size spring models- 611 adjustable power 1-4 ADA barrier free, 612 adjustable power 2-6
- Three independent regulating valves - control sweep and latch closing speeds, also backcheck cushion
- Tri packed- regular, top jamb, parallel arm mount
- 15 year warranty
- Architectural finishes available
- Finish: CH- Polished Chrome, AL- Aluminum, and DU- Duronotic

The TC600 is our most economically priced full cover closer. It is recommended for use on commercial, architectural and institutional applications. It is ideal for business, new construction and renovations. This model has a full selection of accessories to accommodate the requirements of any field installation. Fully compliant with opening force requirements for ADA and ANSI/BHMA standards. This closer is also available in bright brass and polished chrome finishes to match architectural applications.

Options: Specify When Ordering

- *Hold open - HO
- *Finish - AL, DU, CH



Meets ADA Requirements

*Note - For hold open parallel arm mount - must order HOPAB-1245

ACCESSORIES



DROP PLATE
DP-1045



HOLD OPEN ARM
HOA-1245



REGULAR ARM
RA-1240



TOP JAMB EXTENDER
TJ-1240



PARALLEL ARM BRACKETS
PAB-1245 Standard
HOPAB-1245 Hold open



1 3/4" THRU-BOLTS
SXN-134

SURFACE MOUNTED DOOR CLOSERS

TC4361



Hole Pattern - 7 1/2" x 1"

See Cross Reference Chart (page 8)

Specifications

- Grade 1 certified, ANSI/BHMA A156.4
- UL listed compliant UL10C for positive pressure
- Aluminum alloy shell
- Non-handed
- Slimline cover
- Multi-size springs 1-6 adjustable power ADA compliant
- Three independent regulating valves - control sweep and latch closing speeds, also backcheck cushion
- Tri packed- regular, top jamb, parallel arm mount
- Supplied with both wood and machine screws
- 25 year warranty
- Finish: AL- Aluminum, DU- Duronotic

The TC4361 is recommended for use on heavy duty commercial, architectural and institutional applications. It is ideal for business, new construction and renovations. It has a full selection of accessories to accommodate the requirements of any field installation. It is tri-packed standard and comes with all fasteners, brackets and soffit plates for versatility. Closers with non-hold open arms are UL listed for "A" label fire doors. Fully compliant with opening force requirements for ADA and ANSI/BHMA standards.

Options: Specify When Ordering

- *Hold open cush - HOA
- *Cush arm - CNS
- *Heavy duty - HD
- *Finish - AL, DU



Meets ADA Requirements

ACCESSORIES



DROP PLATE - PULL SIDE MOUNTED ON DOOR DP-4361-18



DROP PLATE - PARALLEL ARM MOUNTED ON DOOR DP-4361-18PA



CUSHION ARM RA4361-3077CNS



HEAVY DUTY ARM RA-4361-HD



HOLD OPEN ARM HOA-4361-CNS



REGULAR ARM RA4361



PARALLEL ARM BRACKET PAB-4361

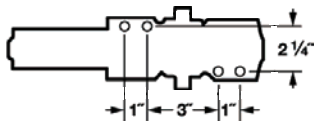


1 3/4" THRU-BOLTS SXN-134

TC4300



Hole Pattern



See Cross Reference Chart (page 8)

Specifications

- Grade 1 certified, ANSI/BHMA A156.4
- UL listed complies with UL10C for positive pressure
- Aluminum alloy shell
- Non-handed - full cover
- Multi-size springs 1-6 adjustable power ADA compliant
- Three independent regulating valves - control sweep and latch closing speeds, also backcheck cushion
- Tri packed- regular pull side, top jamb, parallel arm
- Supplied with both wood and machine screws
- 25 year warranty
- Finish: AL- Aluminum, DU- Duronotic

The TC4300 has all the same design features and specifications as our TC4361 and is our heaviest duty closer for institutional and all other high traffic demanding applications. It has a wide choice of options and installation accessories to accommodate the requirements specified in any industrial or institutional environment. This model comes tri-packed standard and can be ordered with different arm styles for maximum versatility. Fully compliant with opening force requirements for ADA and ANSI/BHMA standards.

Options: Specify When Ordering

- *Hold open cush - HOA
- *Cush arm - CNS
- *Heavy duty - HD
- *Finish - AL, DU



Meets ADA Requirements

ACCESSORIES



DROP PLATE - NARROW TRANSOM BARS DP-4300-18TJ



DROP PLATE - PULL SIDE MOUNTED ON DOOR DP-4300-18



DROP PLATE - TOP JAMB MOUNTING DP-4300-18G



DROP PLATE - PARALLEL ARM MOUNTED ON DOOR DP-4300-18PA



CUSHION ARM RA4300-3077CNS



HEAVY DUTY ARM RA-4300-HD



HOLD OPEN ARM HOA-4300-CNS



REGULAR ARM RA-4300



PARALLEL ARM BRACKET PAB-4300



1 3/4" THRU-BOLTS SXN-134

SURFACE MOUNTED - OVERHEAD CONCEALED

TC300



Body Length 7"
CTC Hole Pattern 6 3/8" x 3/4"

See Cross Reference Chart (page 8)

Specifications

- Grade 3 certified, ANSI/BHMA A156.4
- Aluminum alloy shell
- Non-handed
- One compact body for all power sizes 2, 3, & 4
- Two independent regulating valves control sweep and latch speeds
- 10 year warranty
- Finish: AL- Aluminum, DU- Durototic and WH- White

Options: Specify When Ordering

- *Parallel arm - PA
- *Finish - AL, DU, WH

ACCESSORIES



1 3/4" THRU-BOLTS
SXN-134



PARALLEL ARM BRACKETS
PAB-1003 - AL

TC7700



See Cross Reference Chart (page 8)

Specifications

- Control: two valves for latch and closing speed adjustment
- Closer body spring tension: light #3, medium #4, heavy #5
- Swing: 90 or 105 degree - non-handed
- Feature: hold open or non-hold open
- Replacement: for Kawneer Husky
- Order arms, track, and pivot separately
- 2 year warranty

The TC7700 or "Stout" replaces the original "Kawneer Husky" concealed overhead closer model. This new version features a two-speed closing control to prevent the door from slamming against the stop on single-acting applications. It also prevents over-swing on double-acting applications. The TC7700 is an ideal choice for schools, office buildings, hospitals, department stores and any other facilities that demand reliability for interior and exterior doors.

Closing Speed Adjustment Tip: Through the first 80 degrees of the closing cycle, the door should be kept at a moderate speed to prevent "heel bumping" as someone enters through an out-swing door. Additional adjusting information on closing speed and latching speed can be found on the instruction sheet that comes packaged with the TC7700.

Please Specify: Sold as Components

- *Body - Arm assembly - Track - Pivot
- *Spring Tension: LT. , MED. , HD.
- *Swing: 90 degree or 105 degree
- *Hold open or non-hold open
- *Replacement Parts:
 - KTA - Top arm assembly
 - S2-ARM - Offset arm
 - S2 TRACK - Channel for offset arm
 - TH1119-BCP - Bottom center pivot

Cross Reference

GLOBAL #	KAWNEER #
TC7720	37-626
TC7721	37-624
TC7722	37-625
TC7730	37-629
TC7731	37-627
TC7732	37-628
TC7740	37-632
TC7741	37-630
TC7742	37-631

ACCESSORIES



TOP ARM
KTA



OFFSET ARM & ARM TRACK
S2-TRACK/ARM



BOTTOM CENTER PIVOT
TH1119-BCP

OVERHEAD CONCEALED DOOR CLOSERS (OHC)

TC7000

7000



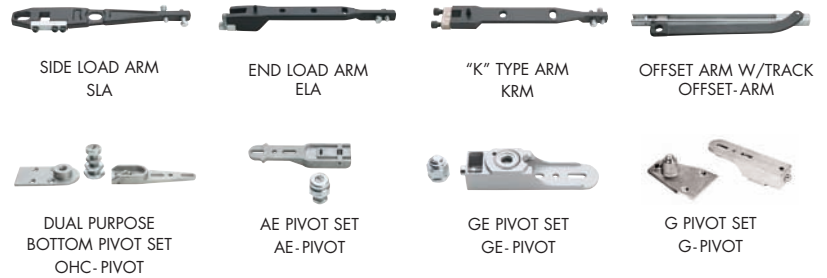
See Cross Reference Chart (page 8)

Specifications

- Material: cast iron housing, high tensile steel camshaft and pistons
- Control: two valves for latch and closing speed adjustment
- Replaces: Jackson 20-330 series closer or #21-101 packages and International 200 series
- Mounting: fits in an aluminum header or transom bar as small as 1 3/4" x 4"
- Body: stocked LP less parts
- UL listed: units without built-in hold-open
- Closer body spring tension: adjustable 1- 6, light #3, medium #4, heavy #5
- ADA compliant: barrier free adjustable models 7010, 7011 - Center pivoted application
- Backstop: 90 or 105 degree swing - non-handed
- Feature: hold open or non-hold open
- Arm type: SLA side load "S", ELA end load "A", KRM end load "K", OFFSET mortised "JO"
- Pivot type: full radial ball bearing design, OHC - floor/threshold mount side/and loading GE - side load for doors weighing up to 125 lbs. AE - end load for doors weighing up to 175 lbs. G - side load for doors weighing up to 125 lbs.
- Complete replacement unit:
Closer Body + Arm Type + Pivot Set
- 5 year warranty

For those who prefer the visual advantages of a concealed door closer, the TC7000 compact design offers an excellent "hidden" solution. Center-pivoted for single and double acting doors. This model is recommended for installation in aluminum door and frame applications. It features multiple spring tension models available to match any door size and weight. Consistent closure speed is assured every time with its temperature-sensitive hydraulic fluid.

ACCESSORIES*



*Mounting brackets available W-CLIP standard anchor set, AE-CLIP optional anchor set

APPLICATIONS

Center Hung Doors - Double or Single Acting

- "S" Type adjustable side loading top arm assembly: 1/2" depth top rail
- "A" Type end loading top arm assembly: 1" depth top rail
- "K" Type end loading top arm assembly: 5/8" depth top rail

For center pivoted applications - order bottom pivot set

Offset Hung Doors - Single Acting

- "JO" Mortised Type offset top arm assembly: 9/16" depth top rail - aluminum
- For offset pivoted or butt hinged applications - no bottom pivot set required, offset pivots or butt hinges order separately. For doors 175 - 225 lbs. offset application

Pivot Sets

- OHC-PIVOT - Adjustable dual purpose bottom pivot set - Standard application
- Optional applications:
 - AE-PIVOT - Adjustable threshold mount bottom pivot set - 1" deep bottom rail
 - GE-PIVOT - Adjustable threshold mount bottom pivot set - 1 1/2" deep bottom rail
 - G-PIVOT - Adjustable floor mount bottom pivot set - 1 1/2" deep bottom rail

Model Size Selection

DOOR SIZE	MAXIMUM DOOR WEIGHT	SPRING TENSION	TYPE	MODEL NUMBER
36" to 48"	225 lbs.	Adjustable	105° back stop with hold open at 105° 105° back stop - non-hold open	7010-ADA 7011-ADA
30" & under	125 lbs.	Light	105° back stop with hold open at 105° 105° back stop - non-hold open 90° back stop with hold open at 90° 90° back stop - non-hold open	7020 7021 7022 7023
Up to 41"	175 lbs.	Medium	105° back stop with hold open at 105° 105° back stop - non-hold open 90° back stop with hold open at 90° 90° back stop - non-hold open	7030 7031 7032 7033
Up to 48" reinforcement required	225 lbs. & up	Heavy	105° back stop with hold open at 105° 105° back stop - non-hold open 90° back stop with hold open at 90° 90° back stop - non-hold open	7040 7041 7042 7043

Please Specify: Sold as Components

- *Body:
 - Spring tension - ADJ. , LT. , MED. , HD.
 - Swing - 90 degree or 105 degree
 - Hold open or non-hold open
- *Arm Type: SLA, ELA, KRM, Offset
- *Pivot Set: OHC, AE, GE, G



Meets ADA Requirements

Duty or spring tension of a closer refers to the opening force, lbs. of pressure required to open a door

RESIDENTIAL DOOR CLOSERS

TC901



TC901

Low profile, residential mini door closer
 For any door up to 150 lbs. / 36" wide
 Easy to install, no special tools required
 Reversible for left or right hand doors
 Applicable for out swinging / in swinging doors
 Available with hold open feature
 Finish: WH-White, BR-Brown

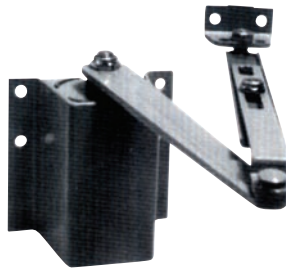
TC931



TC931

Mini Door Closer, for wood or metal doors
 Can be used for specialty applications
 Protective Plate prevents marring to door surface
 Adjustable closer tension for doors up to 150 lbs
 Rollers provide smooth closing action
 Finish: WH-White, BR-Brown, BRA-Brass

TC805-AL



TC805-AL

Hydraulic closer for interior doors up to 85 lbs.
 Can be used for specialty applications
 Rugged, steel cylinder housing and arm
 Smooth, quiet and safe operating
 Reversible for left and right hand doors
 Closer can also be mounted parallel arm
 UL and ULC rated. Fire code approved
 Finish: AL-Aluminum

TC830-AL



TC830-AL

Low cost, high quality hydraulic closer
 Ideal for storm and screen doors up to 35 lbs.
 Can be used for specialty applications
 Reversible for left and right hand doors
 Finish: AL-Aluminum

See Cross Reference Chart (page 8)

MODEL #	MAXIMUM DOOR SIZE	MAXIMUM DOOR WEIGHT	SPRING TENSION
TC805	36" Interior/30" Exterior	85 lbs.	2
TC830	36" Interior/30" Exterior	35 lbs.	1
TC901	36" Interior	150 lbs.	3
TC931	36" Interior	150 lbs.	3

CROSS REFERENCE CHARTS

CROSS REFERENCE DOOR CLOSERS

GLOBAL	LCN	NORTON	DORMA	DOR-O-MATIC FALCON	RIXSON	SARGENT	YALE	CORBIN- RUSSWIN	ARROW
TC300	NA	1700	TS77	SC91	NA	NA	2201	NA	NA
TC2200	NA	9300	644	SC90	NA	NA	2300BC	NA	NA
TC200	1070	1600*	600	SC60/61	NA	1130	51*	DC4600	1000
TC400	NA	8301*	8600	SC80	M2220PH	1330	3301*	NA	5000
TC500	NA	8501*	NA	SC81	M2220	M30	3501*	DC3200	5000
TC600	NA	NA	NA	NA	NA	NA	NA	NA	NA
TC901	NA	NA	NA	NA	NA	NA	NA	NA	NA
TC4361	1460*	NA	NA	NA	NA	NA	NA	NA	NA
TC4300	4040*	7500/7700	8916	SC71	NA	351	P400	DC6000	NA
TC7000	NA	NA	RTS-88	OHC100	608	NA	NA	NA	NA
TC7700	NA	NA	NA	NA	NA	NA	NA	NA	NA

GLOBAL	CAL-ROYAL	INTERNATIONAL	JACKSON	RYOBI	SENTINEL	S. PARKER	TACO	TAYMOR	CRL
TC300	400	61/951	NA	NA	S40	NA	EV66	500	DC51
TC2200	700	90/680/780 850/880/980 750/8050	S225-255	D-1550	S52/S55/S70	530/950	DX50/DX90	600	DC52-5
TC200	NA	NA	NA	NA	S50/S51	NA	NA	NA	NA
TC400	801	5050	NA	D-3551	NA	BF900	70	NA	PR50
TC500	8015	5000	NA	D-3550	NA	900BC	70	NA	PR52
TC600	900	9000	NA	NA	S2500	NA	NA	1900	NA
TC901	NA	NA	NA	NA	QUIETOUCH	NA	NA	NA	NA
TC4361	NA	NA	NA	NA	NA	NA	NA	NA	NA
TC4300	CR441	4400	NA	NA	NA	NA	CTP4041	NA	PR90
TC7000	NA	100/200	20-330	30	S30	400	32	NA	300/7000/8000
TC7700	NA	NA	NA	NA	NA	NA	NA	NA	NA

CROSS REFERENCE MODEL NUMBERS ARE EQUIVALENT OR COMPARABLE DUTY, EXACT MOUNTING HOLE DIMENSIONS MAY VARY
*RETROFIT INSTALLATION HOLE FOR HOLE

MODEL SIZE SELECTION

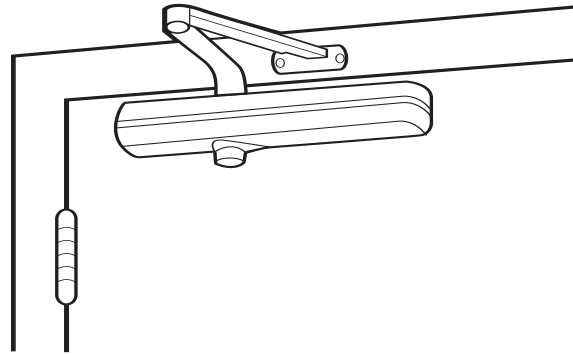
TC4361 SERIES			
TC4361	60" Interior/48" Exterior	258 lbs.	Adjustable 1-6
TC200 SERIES			
TC201ADA	44" Interior/36" Exterior	243 lbs.	Adjustable 1-4
TC201	48" Interior/42" Exterior	258 lbs.	Adjustable 3-6
TC203	36" Interior/30" Exterior	155 lbs.	3
TC204	44" Interior/36" Exterior	243 lbs.	4
TC205	48" Interior/42" Exterior	250 lbs.	5
TC2200 SERIES			
TC2201ADA	44" Interior/36" Exterior	243 lbs.	Adjustable 1-4
TC2202	32" Interior	137 lbs.	2
TC2203	36" Interior/30" Exterior	155 lbs.	3
TC2204	44" Interior/36" Exterior	243 lbs.	4
TC2205	48" Interior/42" Exterior	250 lbs.	5
TC300 SERIES			
TC302	32" Interior	137 lbs.	2
TC303	36" Interior/30" Exterior	155 lbs.	3
TC304	44" Interior/36" Exterior	243 lbs.	4
TC400 SERIES			
TC411ADA	44" Interior/36" Exterior	243 lbs.	Adjustable 1-4
TC412	60" Interior/48" Exterior	258 lbs.	Adjustable 2-6
TC4300 SERIES			
TC4300	60" Interior/48" Exterior	258 lbs.	Adjustable 1-6
TC500 SERIES			
TC511ADA	44" Interior/36" Exterior	243 lbs.	Adjustable 1-4
TC512	60" Interior/48" Exterior	258 lbs.	Adjustable 2-6
TC600 SERIES			
TC611ADA	44" Interior/36" Exterior	243 lbs.	Adjustable 1-4
TC612	60" Interior/48" Exterior	258 lbs.	Adjustable 2-6
TC7000 SERIES			
TC7010ADA	60" Interior/48" Exterior	225 lbs.	Adjustable 1-6
TC7011ADA	60" Interior/48" Exterior	225 lbs.	Adjustable 1-6
TC7020	36" Interior/30" Exterior	125 lbs.	3
TC7021	36" Interior/30" Exterior	125 lbs.	3
TC7022	36" Interior/30" Exterior	125 lbs.	3
TC7023	36" Interior/30" Exterior	125 lbs.	3
TC7030	44" Interior/36" Exterior	175 lbs.	4
TC7031	44" Interior/36" Exterior	175 lbs.	4
TC7032	44" Interior/36" Exterior	175 lbs.	4
TC7033	44" Interior/36" Exterior	175 lbs.	4
TC7040	48" Interior/42" Exterior	225 lbs.	5
TC7041	48" Interior/42" Exterior	225 lbs.	5
TC7042	48" Interior/42" Exterior	225 lbs.	5
TC7043	48" Interior/42" Exterior	225 lbs.	5
TC7700 SERIES			
TC7720	36" Interior/30" Exterior	155 lbs.	3
TC7721	36" Interior/30" Exterior	155 lbs.	3
TC7722	36" Interior/30" Exterior	155 lbs.	3
TC7730	44" Interior/36" Exterior	243 lbs.	4
TC7731	44" Interior/36" Exterior	243 lbs.	4
TC7732	44" Interior/36" Exterior	243 lbs.	4
TC7740	48" Interior/42" Exterior	375 lbs.	5
TC7741	48" Interior/42" Exterior	375 lbs.	5
TC7742	48" Interior/42" Exterior	375 lbs.	5

APPLICATIONS

REGULAR ARM (PULL SIDE)

This is the only pull-side application where a double lever arm is used. It is the most power efficient application for a door closer. Sufficient frame, door and/or ceiling clearance must be considered.

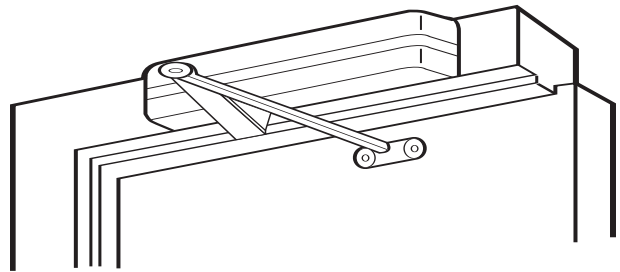
Since the arm assembly projects directly out from the frame, this application may present aesthetic issues and be subject to additional maintenance.



TOP JAMB (PUSH SIDE)

For efficiency reasons this application on provides the best alternative to the regular arm application. It requires a top rail on the door of just 2-1/4". This application provides the best door control for door in exterior walls that swing out of a building.

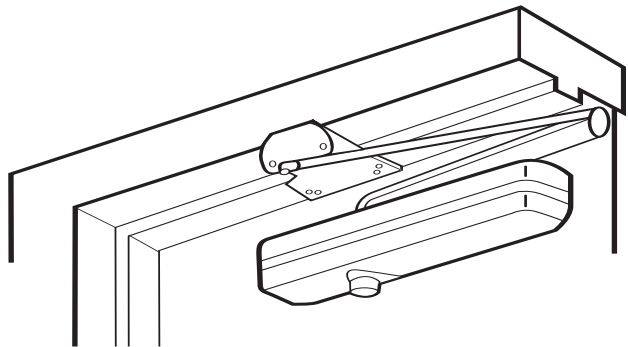
The entire door closer and arm assemble project from the frame, similar to the regular arm application, where matters of appearance and abuse can be of concern. Consideration must be given to the depth of the reveal. For reveals exceeding 27/8" top jamb extended is recommended.



PARALLEL ARM (PUSH SIDE)

This application provides the most appealing design appearance for a surface-mounted door closer having a double lever arm. This also makes it beneficial in abuse-prone areas. It is on the push side of the door and the arm assembly extends almost parallel to the door. In the closed position, there is very little or no hardware projecting beyond the frame face in most situations.

Due to the geometry of the arm it is approximately 25% less power efficient than a regular arm application. The entire closer and arm assembly are mounted below the frame stop. Top rail clearance dimensions will vary based on the type of cover used.



ALL DIAGRAMS NON-HOLD OPEN ARM SHOWN
*REFER TO INSTALLATION INSTRUCTIONS PACKAGED WITH CLOSER FOR MEASUREMENTS AND HOLE LOCATIONS



GLOBAL DOOR CONTROLS

Charlotte, NC, U.S.A.

Tel: 704.596.2444

Fax: 704.596.5659

www.globaldoor.com